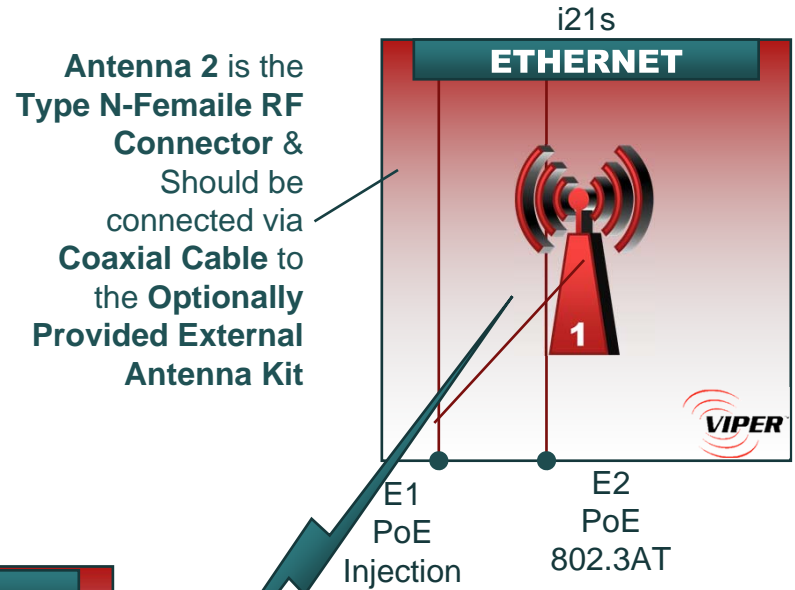
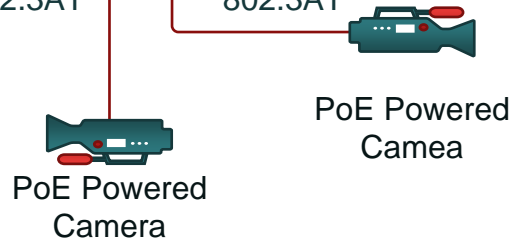
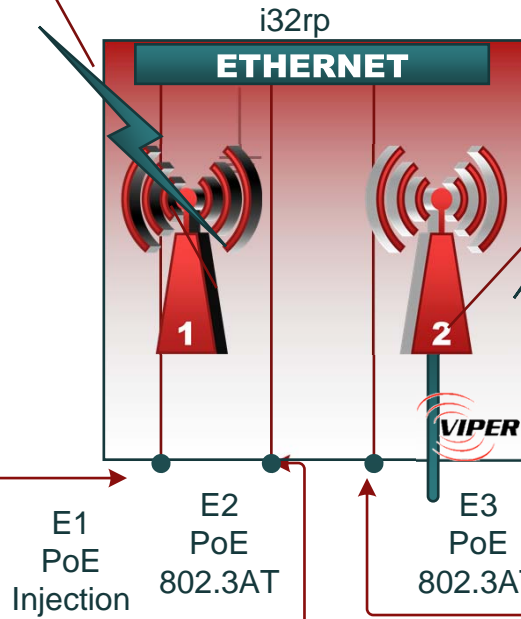
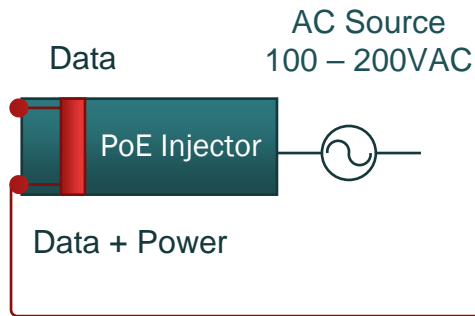


Front Cover is the **Integrated Antenna Panel** & Should be oriented towards **Access Point / Receiver**



Antenna 2 is the **Type N-Female RF Connector** & Should be connected via **Coaxial Cable** to the **Optionally Provided External Antenna Kit**



	Viper i32rp Wiring Diagrams			
	CDM Wireless 810 C Park Ave Youngsville, NC 27587			
SIZE	FSCM NO	DWG NO	REV	
A4	N/A	V-i32rp-WD-002	1	
SCALE	Not To Scale	SHEET	7 OF 10	