

320.0109 ANT-5818 ANT-05



**MT-485001**

**5.15-5.875GHz 18dBi Subscriber Antenna**



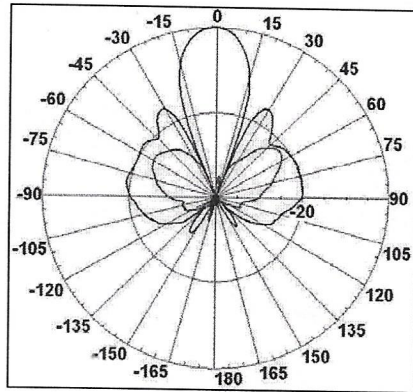
**Specifications**

MTI PART NUMBER		MT - 485001		
<b>ELECTRICAL</b>				
REGULATORY COMPLIANCE		ETSI EN 302 085 V.1.2.2 (2003-08) RoHS, CE 0682		
FREQUENCY RANGE		5.15 - 5.875 GHz		
GAIN		17.5dBi (min) @ 5.15-5.25GHz 18 dBi (min) @ 5.25-5.875GHz		
VSWR		1.5:1 (typ) 1.9 : 1 (max)		
3 dB BEAMWIDTH		18° (typ)		
POLARIZATION		Linear Vertical or Horizontal		
SIDELOBES		AZ	5.15-5.875 ETSI EN 302 085 V.1.2.2 TS1-TS3 5.15-5.875 -13 dB (max)	
		EL	5.15-5.35 -8dB 5.35-5.875 TS1-TS3	
CROSS POLARIZATION		ETSI EN 302 085 V.1.2.2 TS1-TS3 -21dB (max)		
F/B RATIO		ETSI EN 302 085 V.1.2.2 TS1-TS3 -30 dB (max)		
INPUT IMPEDANCE		50 (ohm)		
INPUT POWER		6W (max)		
LIGHTNING PROTECTION		DC Grounded		
<b>MECHANICAL</b>				
DIMENSIONS (LxWxD)		190x190x30.5mm (max)		
WEIGHT		0.7 kg (max)		
CONNECTOR		N-Type Female		
RADOME		Plastic		
BASE PLATE		Aluminum with chemical conversion coating		
OUTLINE DRAWING		See page 2		
MOUNTING KIT		MT-120018/A		
<b>ENVIRONMENTAL</b>				
TEST	STANDARD	DURATION	TEMPERATURE	NOTES
LOW TEMPERATURE	IEC 68-2-1	72 h	-55° C	-
HIGH TEMPERATURE	IEC 68-2-2	72 h	+71° C	-
TEMP. CYCLING	IEC 68-2-14	1 h	-45° C +70° C	3 Cycles
VIBRATION	IEC 60721-3-4	30 min/axis	-	Random4M3
SHOCK MECHANICAL	IEC 60721-3-4	-	-	4M3
HUMIDITY	ETSI EN300-2-4 T4.1E	144 h	-	95%
WATER TIGHTNESS	IEC 529	-	-	IP67
SOLAR RADIATION	ASTAM G53	1000 h	-	-
FLAMMABILITY	UL 94	-	-	Class HB
SALT SPRAY	IEC 68-2-11 Ka	500 h	-	-
ICE AND SNOW	-	-	-	25mm Radial
WIND SPEED SURVIVAL	-	-	-	220 Km/h
OPERATION	-	-	-	160 Km/h
WIND LOAD SUR. FRONT TH.	-	-	-	10.5 kg
SIDE TH	-	-	-	1.6 kg

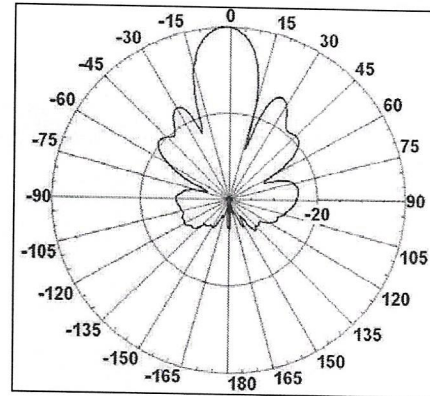


## 5.15-5.875 GHz 18dBi Subscriber Antenna

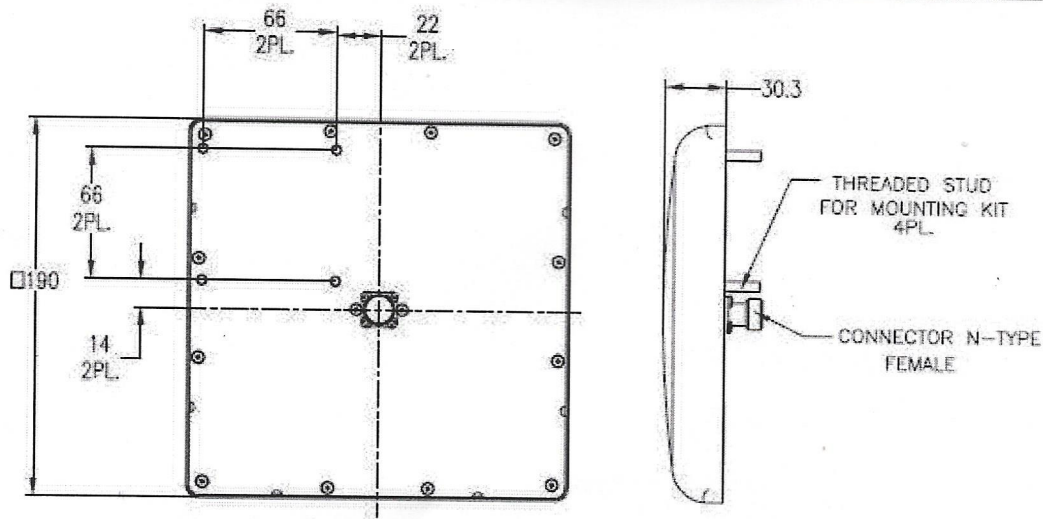
Azimuth Radiation Pattern  
Midband Freq. 5.35 GHz



Elevation Radiation Pattern  
Midband Freq. 5.35 GHz



### Dimensions [mm]



### Existing Antenna Versions

MT-485001/S/R	Integrated Antenna Version for half foot Enclosure
---------------	--

MTI Wireless Edge is certified according to ISO 9001 and ISO 14001.

#### WAIVER!

While the information contained in this document has been carefully compiled to the best of our present knowledge, it is not intended as presentation or warranty of any kind on our part regarding the fitness of the products concerned for any particular use or purpose and neither shall any statement contained herein be construed as a recommendation to infringe any industrial property rights or as a license to use any such rights. The fitness of each product for any particular purpose must be checked beforehand with our specialists.

MTI Wireless Edge Ltd.  
11 Hamelacha St.  
Afek Industrial Park  
Rosh Ha'ayin 48091, Israel  
Tel: +972-3-9008900  
Fax: +972-3-9008901  
[www.mtiwe.com](http://www.mtiwe.com)